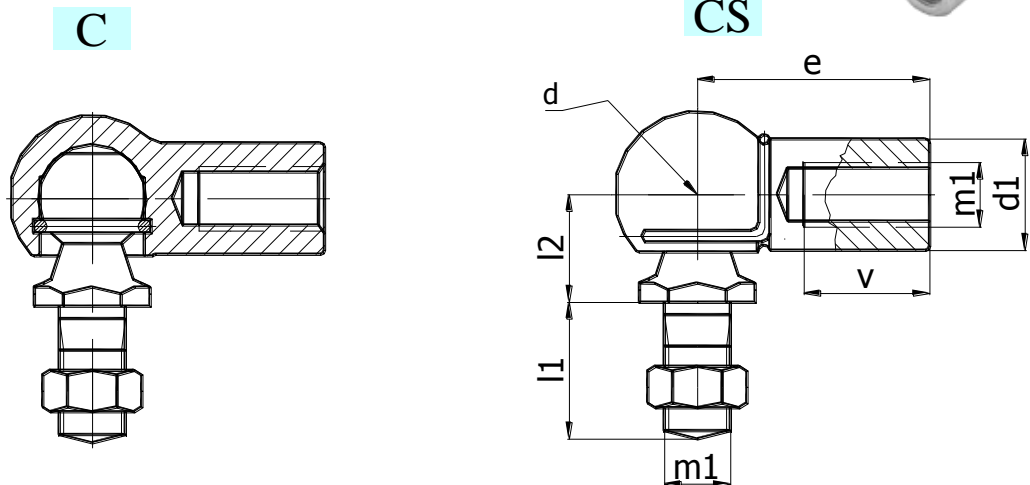


BALL JOINTS HEX (C-CS)



C-CS BALL JOINTS

Standard based on DIN 71802 - Metric sizes

For a quotation, please look at below types and select the part number(s) you require.

Material:

95 Mn Pb 36K (SAE 12L14),

Protective Finish:

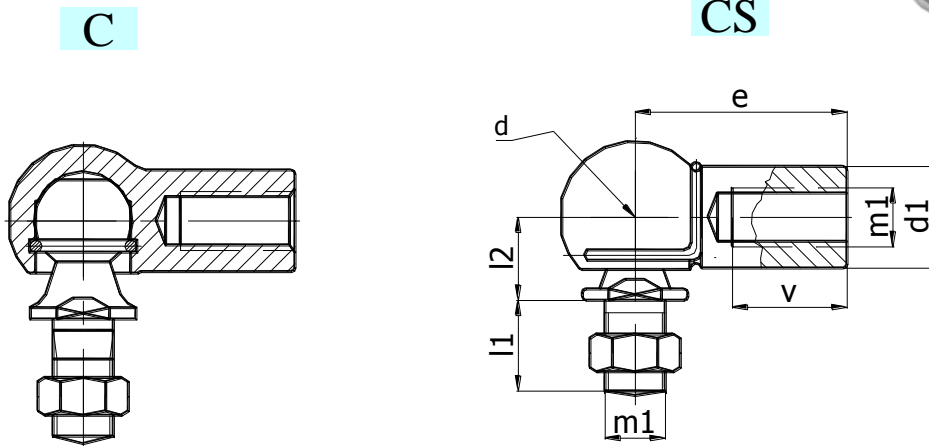
Zinc plated and yellow passivated. The assembly is lubricated.

CODE		d H9/h9	m1	l1	l2	d1	e	v	sw	weight (g)
HT1	HTS1	Ø8	M5	10	9	8	22	10,2	8	15,2
HT2	HTS2	Ø10	M6	12	11	10	25	11,5	10	25,2
HT2-M8	HTS2-M8	Ø10	M8	12	11	10	25	11,5	10	25,2
HT3	HTS3	Ø13	M8	16	13	13	30	14	13	53,1
HT4	HTS4	Ø16	M10	19	16	16	35	15,5	17	103,8
HT5	HTS5	Ø16	M12	19	16	16	35	15,5	17	103,8
HT6	HTS6	Ø19	M14X1.5	27	20	22	45	21,5	20	220,9
HT7	HTS7	Ø19	M14X2	27	20	22	45	21,5	20	220,9
HT8	HTS8	Ø19	M16	27	20	22	45	21,5	20	220,9

C CS

If you have any question, demand or queries, please do not hesitate to contact us.

BALL JOINTS (C-CS)



C-CS BALL JOINTS

Standard based on DIN 71802 - Metric sizes

For a quotation, please look at below types and select the part number(s) you require.

Material:

95 Mn Pb 36K (SAE 12L14),

Protective Finish:

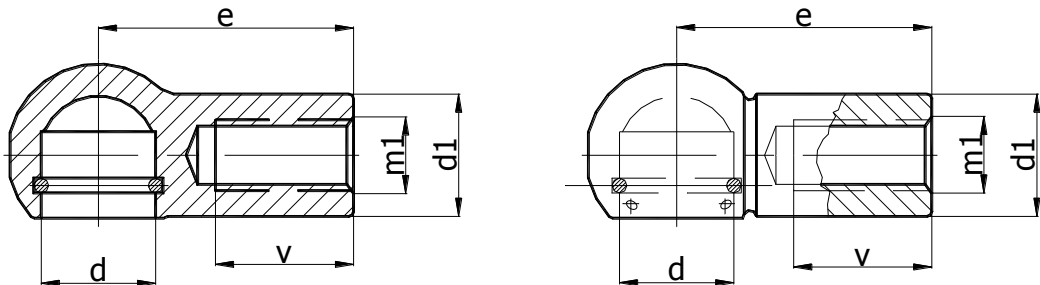
Zinc plated and yellow passivated. The assembly is lubricated.

CODE	d H9/h9	m1	l1	l2	d1	e	v	sw	weight (g)	
T1	TS1	Ø8	M5	10	9	8	22	10,2	7	15,2
T2	TS2	Ø10	M6	12	11	10	25	11,5	8	25,2
T3	TS3	Ø13	M8	16	13	13	30	14	11	53,1
T4	TS4	Ø16	M10	19	16	16	35	15,5	13	103,8
T5	TS5	Ø16	M12	19	16	16	35	15,5	13	103,8
T6	TS6	Ø19	M14X1.5	27	20	22	45	21,5	16	220,9
T7	TS7	Ø19	M14X2	27	20	22	45	21,5	16	220,9
T8	TS8	Ø19	M16	27	20	22	45	21,5	16	220,9

C CS

If you have any question, demand or queries, please do not hesitate to contact us.

BALL SOCKET



CODE	d h9	m1	e	v	d1	weight (g)	FORM B
RD1	Ø8	M5	22	10,2	8	9,0	
RD2	Ø10	M6	25	11,5	10	14,2	
RD3	Ø13	M8	30	14	13	29,0	
RD4	Ø16	M10	35	15,5	16	57,0	
RD5	Ø16	M12	35	15,5	16	57,0	
RD6	Ø19	M14X1.5	45	21,5	22	125,0	
RD7	Ø19	M14X2	45	21,5	22	125,0	
RD8	Ø19	M16	45	21,5	22	125,0	

BALL STUD A AND B FORM

Standard based on DIN 71805 - Metric sizes

For a quotation, please look at below types and select the part number(s) you require.

Material:

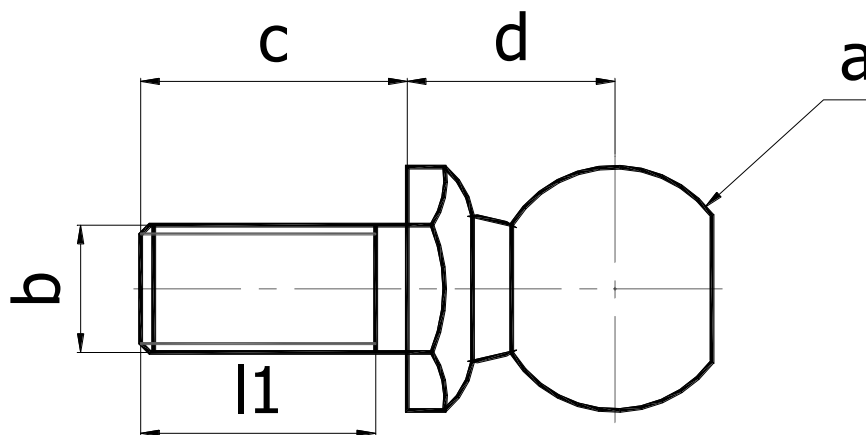
95 Mn Pb 36K (SAE 12L14),

Protective Finish:

Zinc plated yellow passivated.

If you have any question, demand or queries, please do not hesitate to contact us.

BALL STUD



BALL STUD (HEXAGONAL)

Standard based on DIN 71803 - Metric sizes

For a quotation, please look at below types and select the part number(s) you require.

Material:

95 Mn Pb 36K (SAE 12L14),

Protective Finish:

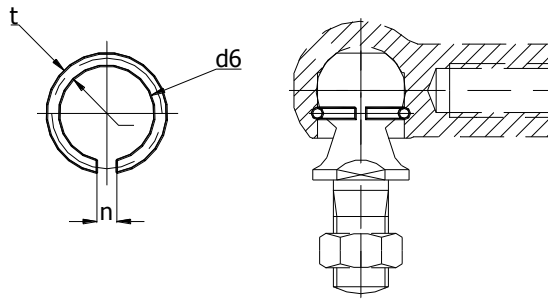
Zinc plated and yellow passivated.

CODE	a/h9	b	d	c	l1	sw	weight (g)
TOR1	Ø8	M5	9	10	8	8	15,2
TOR2	Ø10	M6	11	12	10	10	25,2
TOR3	Ø10	M8	11	12	10	10	25,2
TOR3-13	Ø10	M8	11	12	10	13	25,2
TOR4	Ø13	M8	13	16	14	13	53,1
TOR5	Ø16	M10	16	19	16	17	103,8
TOR6	Ø16	M12	16	19	16	17	103,8
TOR7	Ø19	M14X1.5	20	27	17	19	220,9
TOR8	Ø19	M14X2	20	27	17	19	220,9
TOR9	Ø19	M16	20	22	17	19	220,9

If you have any question or demand, you don't hesitate to contact us.

BALL CUP & PROTECTION CLIP

BALL CUP



OEM CODE	Description	d6	t	n	weight (g)
TN1	R 8	7.2	1.0	3.9	0.14
TN2	R10	8.9	1.2	4.5	0.26
TN3	R13	11.2	1.5	4.7	0.56
TN4	R16	13.9	1.8	5.5	0.93
TN5	R19	17.0	2.0	7.5	1.39

Ball Cup, For Ball Stud in accordance with DIN 71805

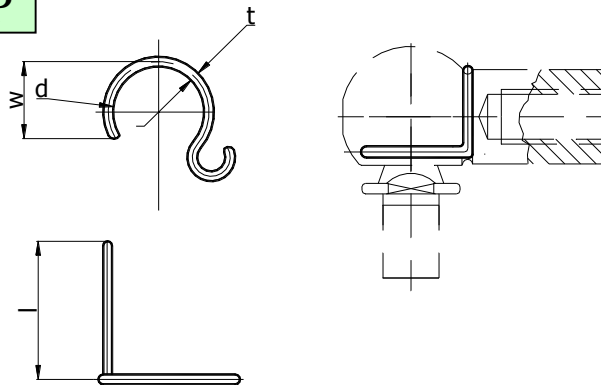
Material: DIN 17223

Protective Finish:

Zinc plated and yellow passivated.

For a quotation, please look at above / below mentioned types and select the part code (s) you require.

PROTECTION CLIP



OEM CODE	Description	d	t	w	l	weight (g)
TRN1	S 8	7,0	1,0	6,5	12,0	0,21
TRN2	S 10	8,7	1,0	7,7	12,5	0,24
TRN3	S 13	11,0	1,2	9,5	15,7	0,46
TRN4	S 16	13,0	1,4	11,0	19,0	0,77
TRN5	S 19	20,0	1,5	16,5	24,0	1,10

Ball Cup, For Ball Stud in accordance with DIN 71805

Material: DIN 17223

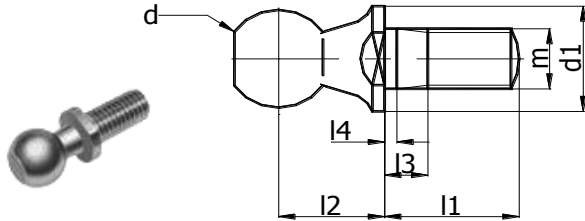
Protective Finish:

Zinc plated and yellow passivated.

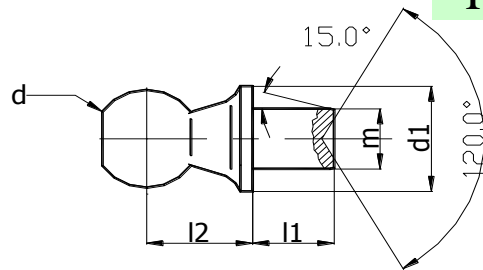
If you have any question, demand or queries, please do not hesitate to contact us.

BALL STUD

FORM C



FORM B



CODE	d h9	m	l1	l2	d1	l4 min	l3 max	sw	weight (g)	FORM C
R1	Ø8	M5	10,2	9	8	1,2	4,0	7	4,55	
R2	Ø10	M6	12,5	11	10	1,2	4,0	8	8,5	
R3	Ø13	M8	16,5	13	13	1,5	5,3	11	17,7	
R4	Ø16	M10	20,0	16	16	2,5	7,3	13	35,1	
R5	Ø16	M12	20,0	16	16	2,5	7,3	13	35,1	
R6	Ø19	M14X1.5	28,0	20	19	5	10,8	16	71,2	
R7	Ø19	M14X2	28,0	20	19	5	10,8	16	71,2	
R8	Ø19	M16	28,0	20	19	5	10,8	16	71,2	

CODE	d h9	l1	l2	m h11	d1	weight (g)	FORM B
OR1	Ø8	4,0	9	5	8	3,85	
OR2	Ø8	7,5	9	5	8	4,35	
OR3	Ø10	4,5	11	6	10	7,1	
OR4	Ø10	8,0	11	6	10	7,8	
OR5	Ø13	5,0	13	8	13	14,2	
OR6	Ø13	10,0	13	8	13	16	
OR7	Ø16	6,0	16	10	16	23,5	
OR8	Ø16	13,0	16	10	16	29,6	
OR9	Ø19	12,0	20	14	19	56,2	
OR10	Ø19	18,0	20	14	19	63,7	

BALL PIVOT C AND B FORM

Standard based on DIN 71803 - Metric sizes

For a quotation, please look at below types and select the part number(s) you require.

Material:

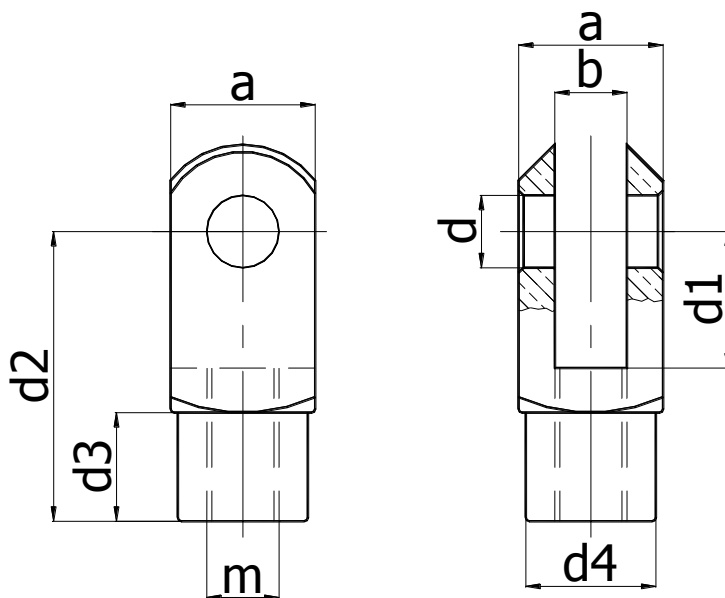
95 Mn Pb 36K (SAE 12L14),

Protective Finish:

Zinc plated, de-embrittled and yellow passivated.

If you have any question, demand or queries, please do not hesitate to contact us.

CLEVISES



GM & GML CLEVISES

Standard based on DIN 71752 - Metric sizes

For a quotation, please look at below types and select the part number(s) you require.

Material:

95 Mn Pb 36K (SAE 12L14),

Protective Finish:

Zinc plated and yellow passivated.

CODE	m 6H	a	d H9	b	d2	d4	d3	d1	m 6H	Weight (gr.)
TO1	4X8	8	4	4	16	8	6	8	M4	5
TO2	4X16	8	4	4	24	8	6	16	M4	7
TO3	5X10	10	5	5	20	9	7,5	10	M5	9
TO4	5X20	10	5	5	30	9	7,5	20	M5	12
TO5	6X12	12	6	6	24	10	9	12	M6	15
TO6	6X24	12	6	6	36	10	9	24	M6	20
TO7	8X16	16	8	8	32	14	12	16	M8	36
TO8	8X32	16	8	8	48	14	12	32	M8	52
TO9	10X20	20	10	10	40	18	15	20	M10	72
TO10	10X40	20	10	10	60	18	15	40	M10	102
TO11	12X24	24	12	12	48	20	18	24	M12	115
TO12	12X48	24	12	12	72	20	18	48	M12	167
TO13	14X28	27	14	14	56	24	22,5	28	M14	171
TO14	14X56	27	14	14	85	24	22,5	56	M14	250
TO15	16X32	32	16	16	64	26	24	32	M16	268
TO16	16X64	32	16	16	96	26	24	64	M16	392
TO17	18X36	36	18	18	72	30	27	36	M18X2,5	360
TO18	20X40	40	20	20	80	34	30	40	M20X2,5	520
TO19	25X50	50	25	25	100	42	36	50	M24X3,0	1080
TO20	28X56	55	28	28	112	48	40	56	M27X3,0	1500
TO21	30X60	60	30	30	120	52	42	60	M30X3,5	1940
TO22	36X72	70	35	35	144	60	54	72	M36X4,0	2950
TO23	42X84	85	42	42	168	70	63,5	84	M42X4,5	6100

If you have any question, demand or queries, please do not hesitate to contact us.

PLASTİK PARÇALAR



PLS 1



PLS 2



PLS 3



PLS 4



PLS 5



PLA-1



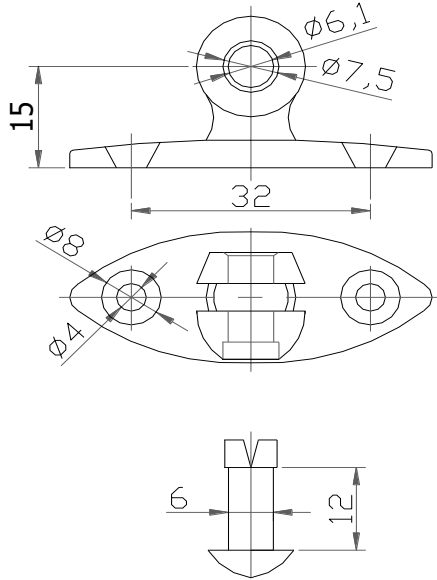
PLS 6



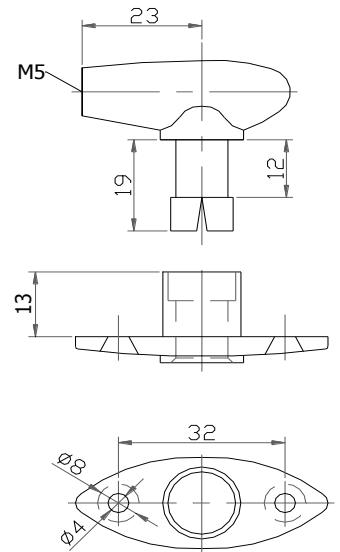
PLSE-1

PLASTIC and BRACKET PARTS

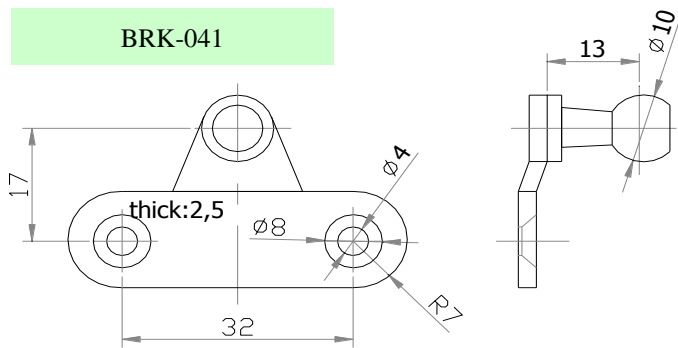
PLS 8



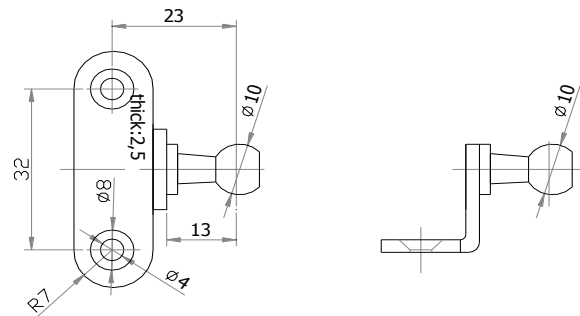
PLS 9



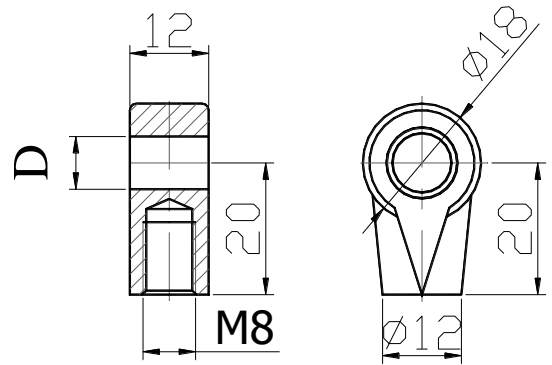
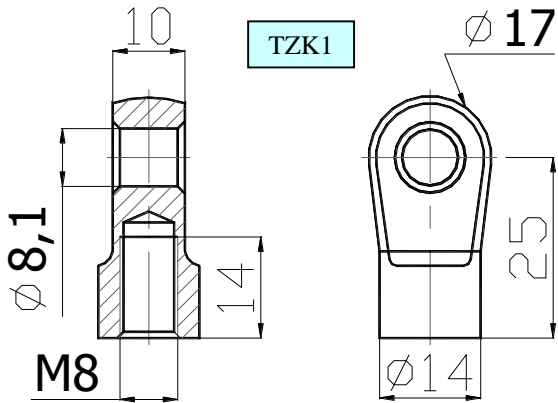
BRK-041



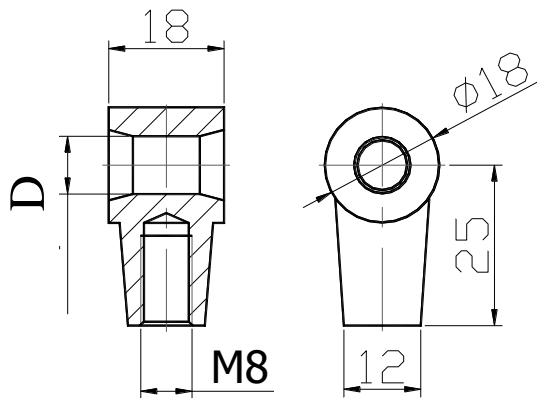
BRK-042



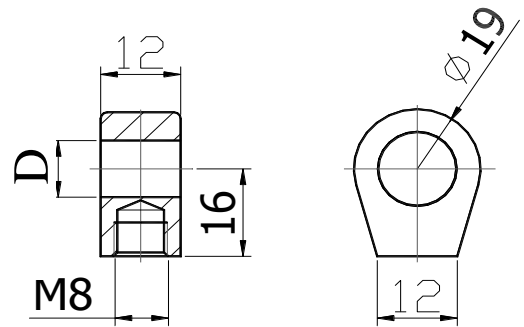
ZAMAC PRODUCTS



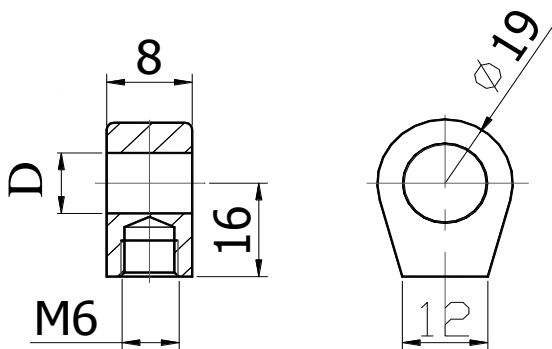
CODE	D
TZK2	$\varnothing 8,3$
TZK3	$\varnothing 10,1$



CODE	D
TZK4	$\varnothing 8,3$
TZK5	$\varnothing 10,2$



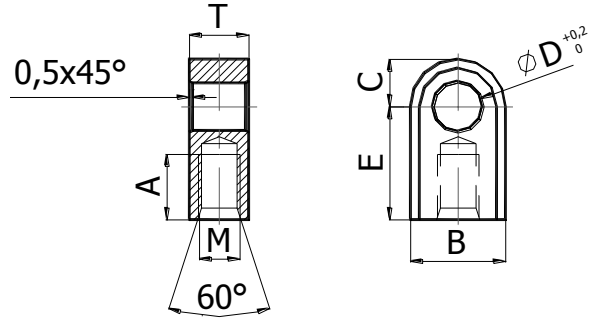
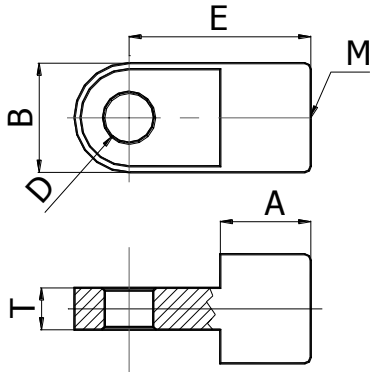
CODE	D
TZK6	$\varnothing 10,1$
TZK7	$\varnothing 12,1$



CODE	D
TZK8	$\varnothing 8,1$
TZK9	$\varnothing 10,1$

If you have any question, demand or queries, please do not hesitate to contact us.

EYE PRODUCTS



MATERIAL: 9S MnPb36 K

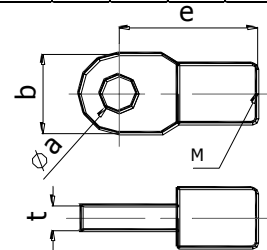
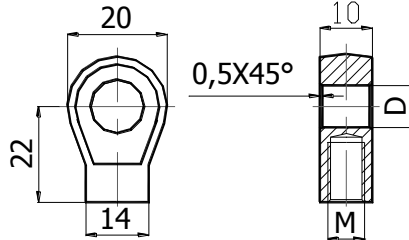
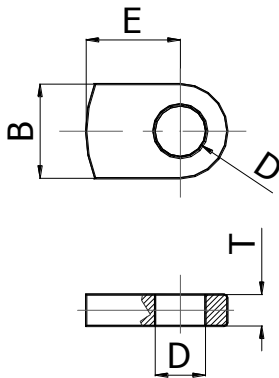
SURFACE: Zinc Plated and White, Yellow or Black Passivated

CODE	D (+0,2)	E	M	T	B	A
TDN620	6,1	20	M6	3	10	10
TDN105	8,1	22	M8	10	15	10
TDN106	8,1	22	M6	5	15	11
TDN825	8,1	25	M8	5	14	14
TDN823	8,1	25	M8	3	12,5	12,5
TDN103	8,1	30	M10	10	18	13
TDN835	8,1	35	M8	10	20	20
TDN1358	10,1	35	M8	10	20	20
TDN135	10,1	35	M10	10	20	20
TDN658	6,1	16	M5	6	10	8
TDN10	8,1	22	M8	5	15	10

MATERIAL: 9S MnPb36 K

SURFACE: Zinc Plated and White, Yellow or Black Passivated

CODE	D (+0,2)	T (+0,2)	M	A	E	C	B
TDN22	8,1	12	M10	15,5	22	8	16
TDN198	8,1	10	M6	11,5	19	8	16
TDN20	8,1	12	M10	14	20	8	16
TDN16	8,1	12	M8	9	16	8	16
TDN817	8,1	10	M8	9	17	8	16
TDN728	7,28	10	M8	9	20	8	16
TDN190	10,1	10	M6	11,5	19	8	16
TDN829	8,1	10	M8	9	20	8	16
TDN018	8,1	10	M8	9	16	8	16
TDN016	6,1	10	M8	9	16	8	16
TDN068	6,1	10	M8	9	18	8	16
TDN811	8,1	8	M8	9	15	8	16



MATERIAL: 9S MnPb36 K

SURFACE: Zinc Plated and White, Yellow or Black Passivated

CODE	D (+0,2)	E	B	T
TDN6	6,1	13	13	3
TDN65	6,1	15	15	5
TDN66	6,1	16,5	15	3
TDN81	8,1	16,5	15	5
TDN63	8,1	13	15	3
TDN8	8,1	15	15	5
TDN104	10,1	15	15	5

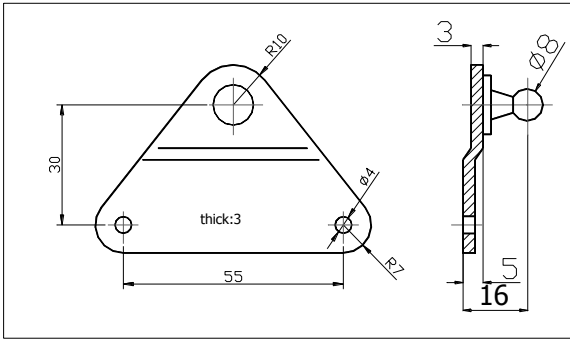
CODE	D (+0,2)	M
TD1	8,1	M6
TD2	10,1	M6
TD3	8,1	M6
TD4	8,1	M8

CODE	a	M	e	b	t
TDN823	6,2	M6	15	13	3
TDN603	6,2	M6	20	15	3
TDN663	6,2	M6	22	15	3
TDN123	6,2	M6	22	15	5
TDN082	8,2	M6	22	15	3
TDN622	8,2	M6	25	15	5
TDN822	8,2	M8	22	15	5
TDN828	8,2	M6	22	15	5
TDN128	8,2	M8	25	15	5
TDN835	8,2	M8	30	15	5
TDN836	10,2	M8	30	15	5
TDN623	10,2	M6	25	15	5
TDN125	10,2	M8	25	15	5
TDN628	6,2	M8	22	15	10

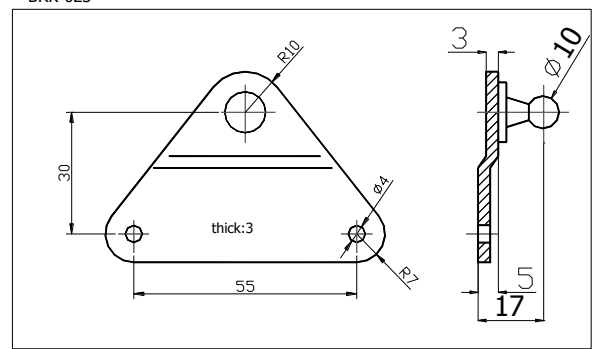
If you have any question, demand or queries, please do not hesitate to contact us.

BRACKET PRODUCTS-1

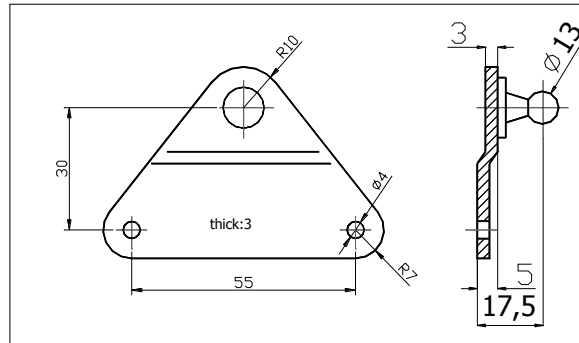
BRK-021



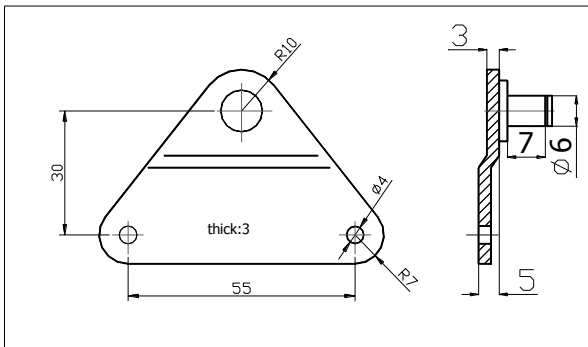
BRK-023



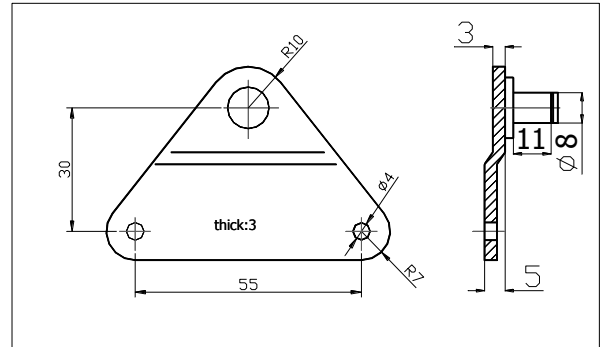
BRK-024



BRK-025



BRK-026

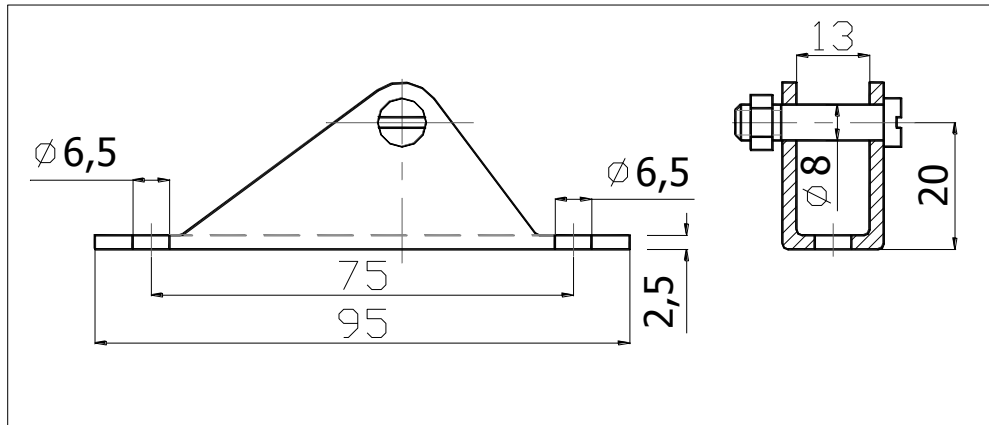


Material: (dkp) steel sheet or stainless steel (303 or 304)
Plated: Zinc Plated (standard) – nickel – chrome
Passivation: Yellow, white or black passivated

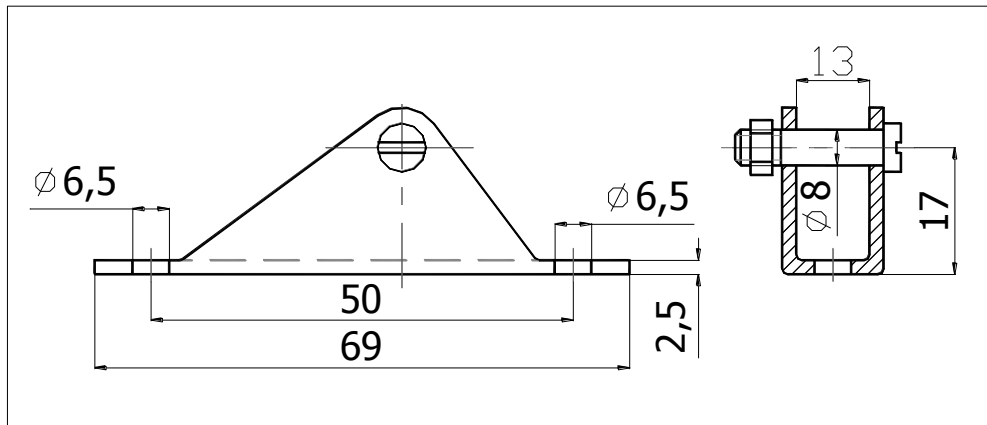
If you have any question, demand or queries, please do not hesitate to contact us.

BRACKET PRODUCTS-2

BRK-031



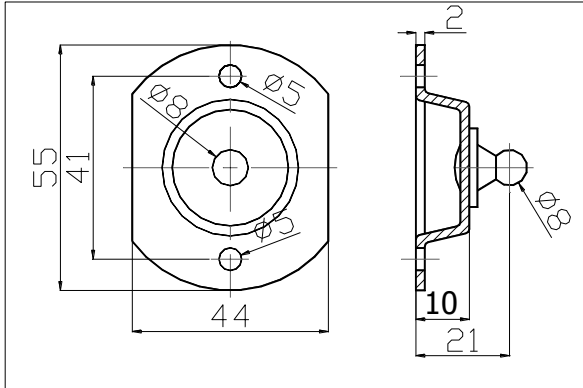
BRK-032



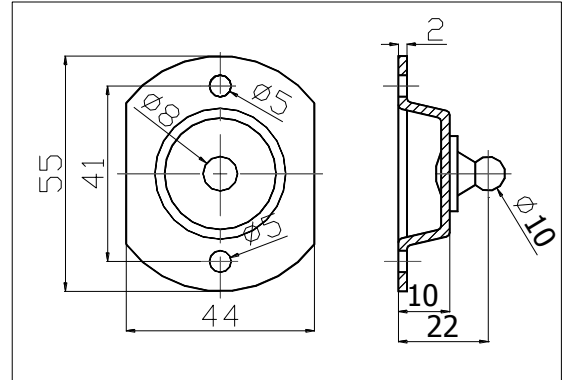
Material: (dkp) steel sheet or stainless steel (303 or 304)
Plated: Zinc Plated (standard) – nickel – chrome
Passivation: Yellow, white or black passivated

BRACKET PRODUCTS-3

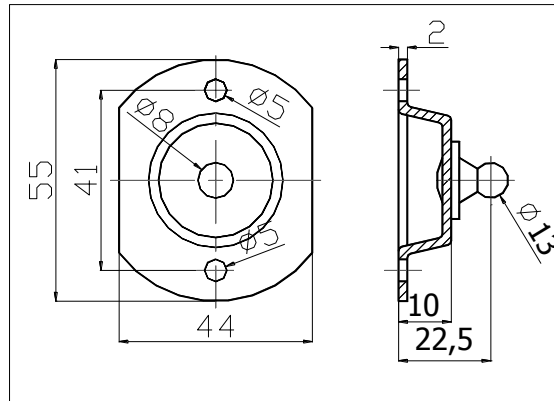
BRK-011



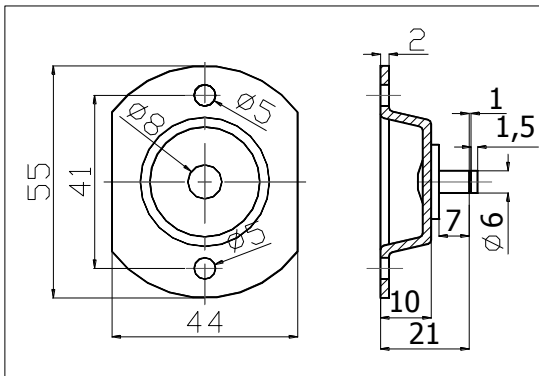
BRK-012



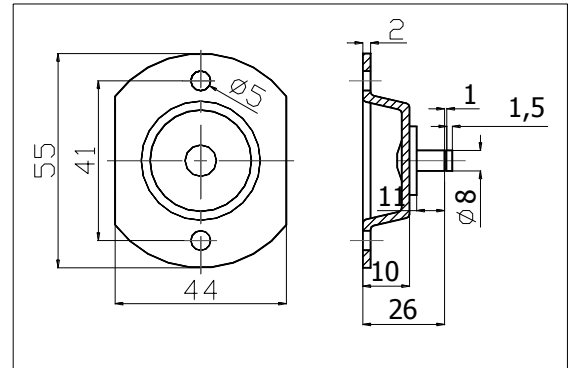
BRK-013



BRK-014



BRK-015

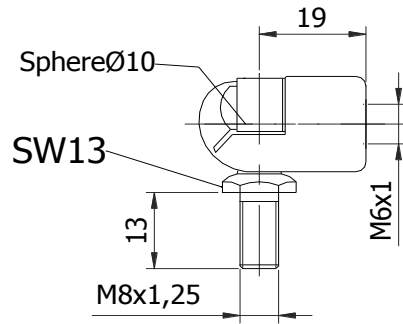


Material: (dkp) steel sheet or stainless steel (303 or 304)
Plated: Zinc Plated (standard) – nickel – chrome
Passivation: Yellow, white or black passivated

If you have any question, demand or queries, please do not hesitate to contact us.

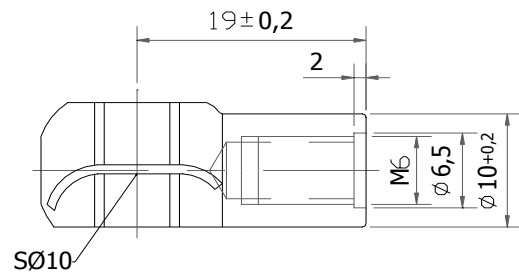
SPECIAL PRODUCTS

TRND



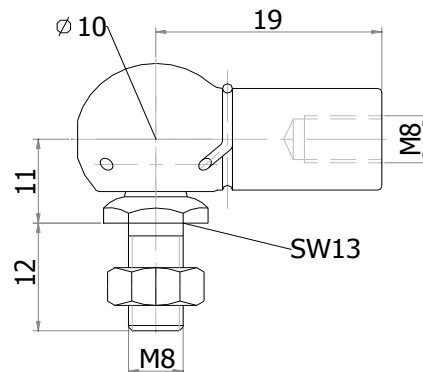
MATERIAL: 9S MnPb36 K + PA66 (PLASTIC)
SURFACE: Zinc Plated and White, Yellow or Black Passivated

RD10-Y



MATERIAL: 9S MnPb36 K
SURFACE: Zinc Plated and White, Yellow or Black Passivated
CLIPS: CK55

HTS2-M8-19



MATERIAL: 9S MnPb36 K
SURFACE: Zinc Plated and White, Yellow or Black Passivated

If you have any question, demand or queries, please do not hesitate to contact us.